

# Youmount®

CATHETER MOUNT

**CORRUGATED  
AND EXTENSIBLE  
CATHETER  
MOUNT**



The **CATHETER MOUNT YOUMOUNT®** is a corrugated tube, indicated for the transport of anesthetic gases or oxygen to patients undergoing mechanical ventilation.

The **CATHETER MOUNT YOUMOUNT®** is connected between the patient (endotracheal tube or tracheostomy) and the breathing circuit.

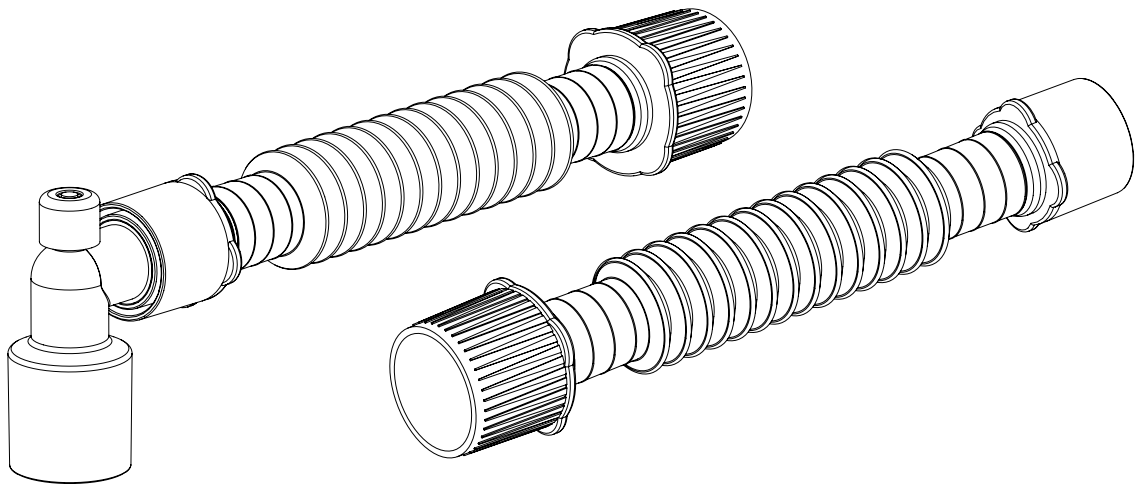


### **Biconnect Cap (dual function):**

It can be used at the time of intubation and at the time of filter disposal.

## Catheter Mount

- Corrugated and extensible tube
- ISO standard conical connections, 22/15 mm
- Dual-purpose tube cap



The **CATHETER MOUNT YOUMOUNT®** should be used according to its presentation:

- **YMO-R (STRAIGHT)**: In connection with the breathing filter in tracheostomized patients or with endotracheal intubation;
- **YMO-A (ANGLED)**: In connection with the breathing filter in tracheostomized patients or with endotracheal intubation. This model has connection with Luer-Lock® cap for capnography.

### STRAIGHT

- Size: 17 cm
- Connections: 15F/22M \* 22F

### ANGLED

- Size: 23 cm
- Connections: 15M 90° \* 22F \* capnography

Product/Description	Code	Anvisa
Straight Catheter Mount	YMO-R	81484760013
Angled Catheter Mount	YMO-A	81484760013