



# Youshield®

ELECTROSTATIC BACTERIAL/VIRAL  
BARRIER FILTER

The **Youshield®** Electrostatic Bacterial/Viral Barrier Filter is composed of a filtering membrane with electrostatic barrier technology against viruses and bacteria that has a totally hydrophobic mechanism, called **YOUSHIELD® MEMBRANE**.

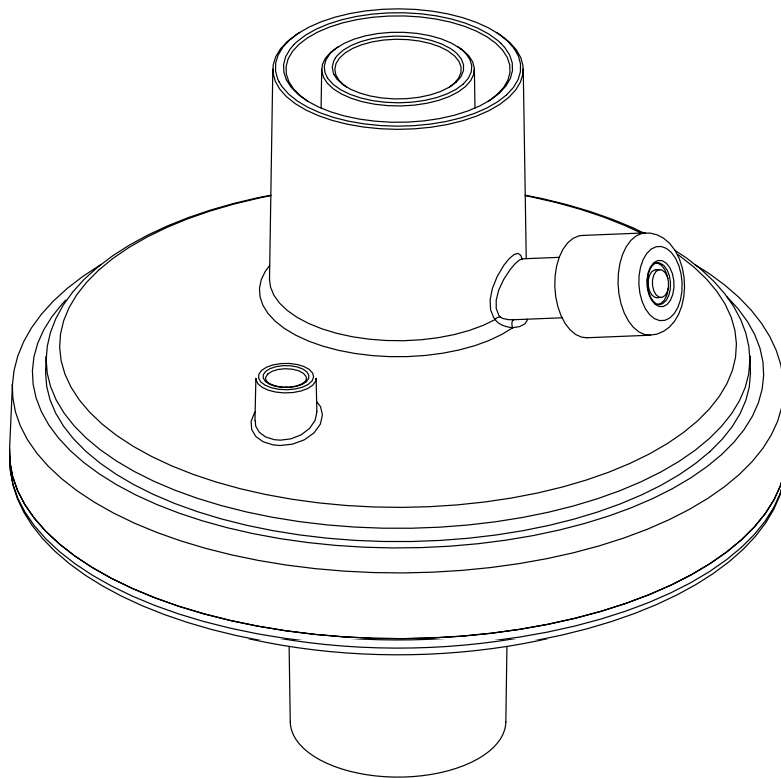
Indicated for the protection of patients under mechanical ventilation, it is used close to the equipment, avoiding complications related to cross-infection and preventing microorganisms from reaching the patient's respiratory tract and the external environment: technical staff and collaborators.

# 99.999%

EFFECTIVENESS IN FILTERING  
VIRUSES AND BACTERIA

## Filters and protects

- Barrier filter, efficiency against viruses and bacteria
- Electrostatic and hydrophobic technology
- Transparent body for better visualization
- Connection for capnography
- Presentation with and without catheter mount



### CHARACTERISTICS

- Deadspace: 80 ml
- Tidal Volume (TV): 150 – 1500 ml
- Flow Resistance: 1.5 cm H<sub>2</sub>O at 60 l/min
- Recommended Usage Time: 48 hours

Product/Description	Code	Anvisa
Electrostatic Bacterial/Viral Barrier Filter with Catheter Mount	YFE-ST	81484769002
Electrostatic Bacterial/Viral Barrier Filter without Catheter Mount	YFE-SH	81484769001