



MEDICAL-HOSPITAL SOLUTIONS

Product

Catalog 2023/24



ScavMedical



Who we are

We are a Brazilian company that manufactures medical and hospital products, located in São Paulo in the city of Jundiaí.

We have more than 80 direct employees, occupying a manufacturing area of 2,000 m² divided into two sites. In the main building we installed a clean room of 200 m², in order to ensure a production environment free of external contamination.

We are proud to say that our products are 100% national and that we are always committed to providing, in addition to high quality products, innovative solutions for the health sector.

With extensive experience in the healthcare market, we always work closely with hospitals, doctors, nurses and healthcare professionals to ensure that our products meet their needs and exceed their expectations.

A large part of our efforts is concentrated in the area of research and development, which always seeks the best technologies, equipment, processes and management tools, in addition to being responsible for partnerships with recognized universities and world-renowned national research institutes.

Our portfolio includes a respiratory line of filter and circuits, as well as a surgical line with silicone drains and trocars. Each product undergoes rigorous quality tests and is submitted to the most renowned international analysis laboratories, before being placed on the market.

We believe that our success is a result of our dedication to providing innovative, high-quality solutions to the health sector.





Youmidity Adult



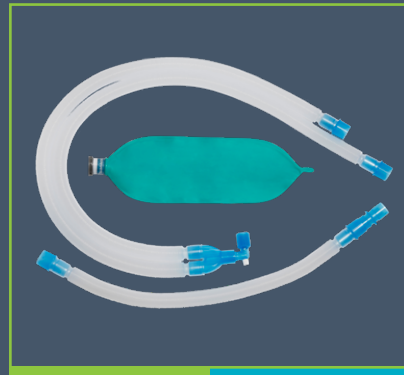
Youmidity Pediatric



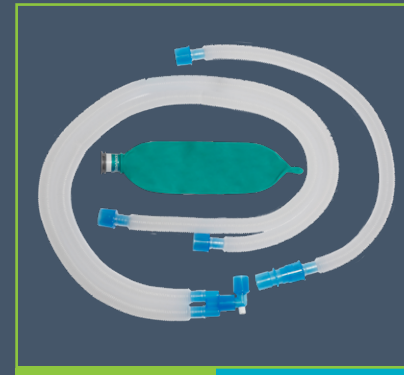
Youshield



Youmount



Youcircuit Adult



Youcircuit Pediatric/Neonatal



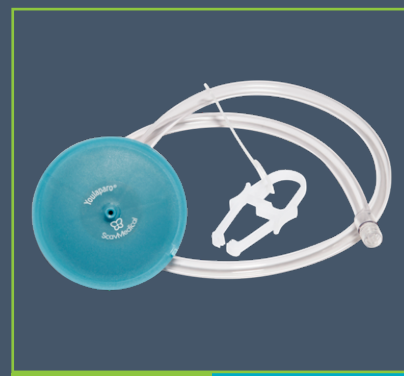
Youflow Adult



Youflow Pediatric



Youdrain



Youlaparo



Youthoraxport



PRODUCTS

Youmidity®

HMEF BREATHING FILTER



99.999%
BACTERIAL &
VIRAL FILTRATION
EFFICIENCY (BFE/VFE)

The **YOUMIDITY® HMEF FILTER** produced by ScavMedical is ideal for patients under mechanical ventilation, under anesthesia, sedation or intensive care.

It is composed of two membranes, the one next to the patient being hygroscopic with the function of exchanging heat and moisture. The other is the Youshield membrane which, with its electrostatic filtering and hydrophobic properties, has the function of creating an effective barrier against viruses and bacteria.



Biconnect Cap (dual function):
It can be used at the time of intubation and at the time of filter disposal.

Filters and humidifies simultaneously

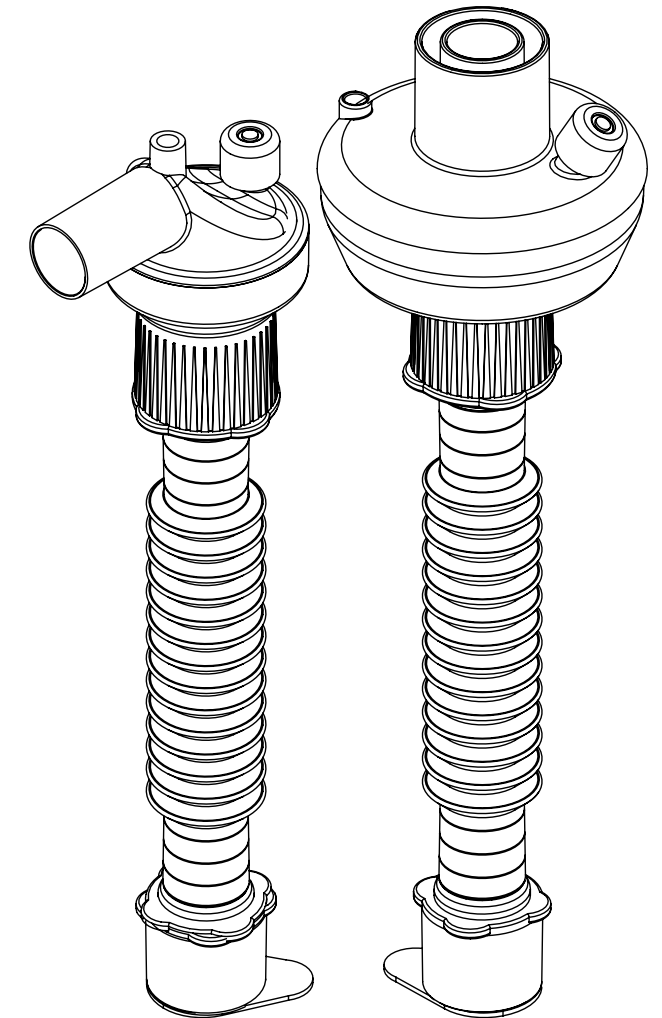
- Transparent body for better visualization
- Extensible corrugated catheter mount
- ISO standard conical connections, 22/15 mm
- Connection for capnography

ADULT

- Deadspace: 35 ml
- Tidal Volume (TV): 150 – 1000 ml
- Flow Resistance: 1.8 cm H₂O at 60 l/min
- Recommended Usage Time:
24 hours / 48 hours

PEDIATRIC

- Deadspace: 13 ml (angled)
- Tidal Volume (TV): 50 – 250 ml
- Flow Resistance: 1.4 cm H₂O at 20 l/min
- Recommended Usage Time:
24 hours / 48 hours



Product/Description	Code	Anvisa
HMEF Adult Breathing Filter with Catheter Mount	YFH-AT	81484760002
HMEF Adult Breathing Filter without Catheter Mount	YFH-A	81484760003
HMEF Pediatric Breathing Filter with Catheter Mount	YFH-IT	81484760002
HMEF Pediatric Breathing Filter without Catheter Mount	YFH-I	81484760003

Youshield®

ELECTROSTATIC BACTERIAL/VIRAL BARRIER FILTER



The **Youshield®** Electrostatic Bacterial/Viral Barrier Filter is composed of a filtering membrane with electrostatic barrier technology against viruses and bacteria that has a totally hydrophobic mechanism, called **YOUSHIELD® MEMBRANE**.

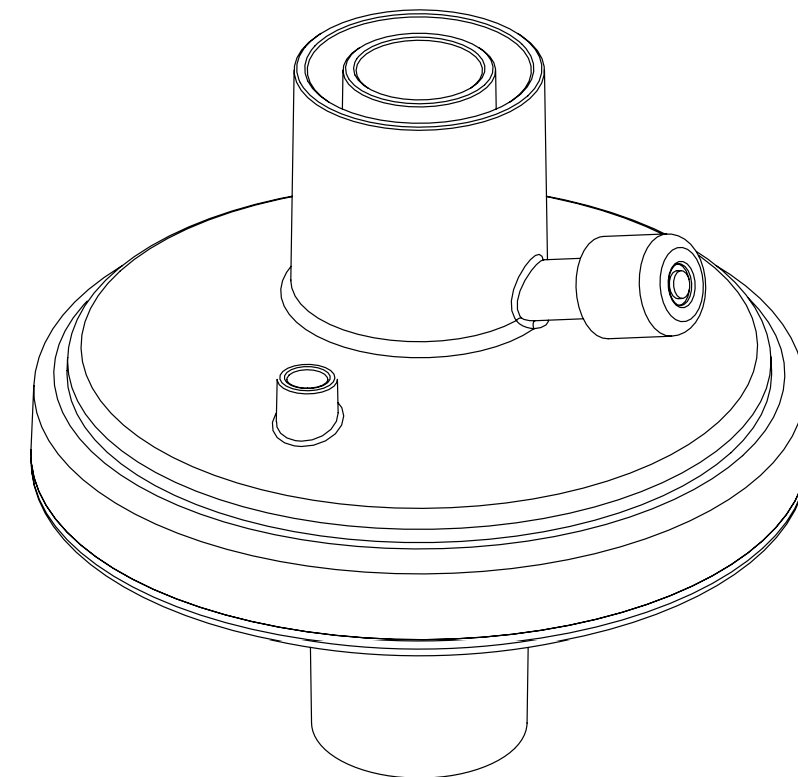
Indicated for the protection of patients under mechanical ventilation, it is used close to the equipment, avoiding complications related to cross-infection and preventing microorganisms from reaching the patient's respiratory tract and the external environment: technical staff and collaborators.

99.999%

EFFECTIVENESS IN FILTERING VIRUSES AND BACTERIA

Filters and protects

- Barrier filter, efficiency against viruses and bacteria
- Electrostatic and hydrophobic technology
- Transparent body for better visualization
- Connection for capnography
- Presentation with and without catheter mount



CHARACTERISTICS

- Deadspace: 80 ml
- Tidal Volume (TV): 150 – 1500 ml
- Flow Resistance: 1.5 cm H₂O at 60 l/min
- Recommended Usage Time: 48 hours

Product/Description	Code	Anvisa
Electrostatic Bacterial/Viral Barrier Filter with Catheter Mount	YFE-ST	81484769002
Electrostatic Bacterial/Viral Barrier Filter without Catheter Mount	YFE-SH	81484769001

Youmount®

CATHETER MOUNT

**CORRUGATED
AND EXTENSIBLE
CATHETER
MOUNT**



The **CATHETER MOUNT YOUMOUNT®** is a corrugated tube, indicated for the transport of anesthetic gases or oxygen to patients undergoing mechanical ventilation.

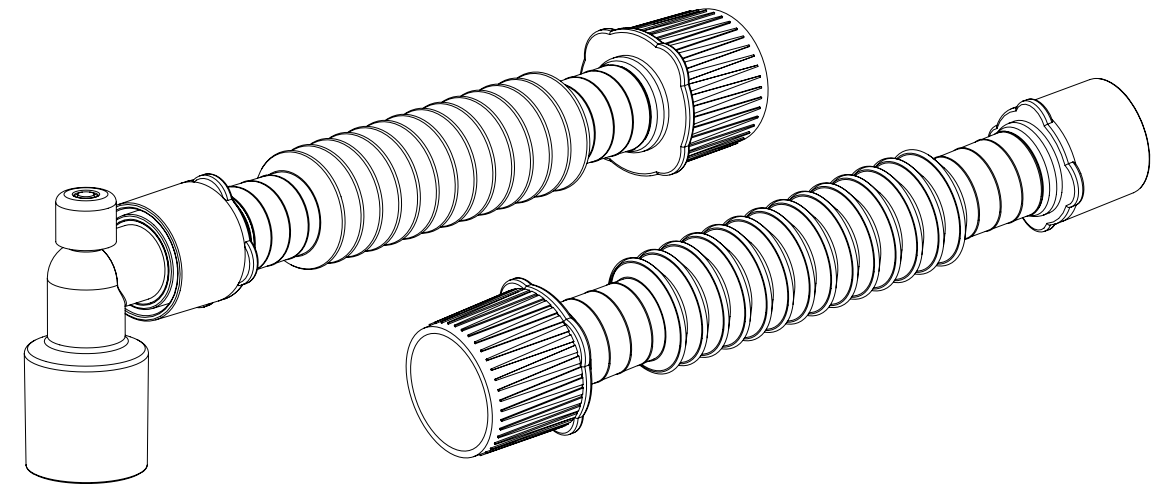
The **CATHETER MOUNT YOUMOUNT®** is connected between the patient (endotracheal tube or tracheostomy) and the breathing circuit.



Biconnect Cap (dual function):
It can be used at the time of intubation and at the time of filter disposal.

Catheter Mount

- Corrugated and extensible tube
- ISO standard conical connections, 22/15 mm
- Dual-purpose tube cap



The **CATHETER MOUNT YOUMOUNT®** should be used according to its presentation:

- **YMO-R (STRAIGHT):** In connection with the breathing filter in tracheostomized patients or with endotracheal intubation;
- **YMO-A (ANGLED):** In connection with the breathing filter in tracheostomized patients or with endotracheal intubation. This model has connection with Luer-Lock® cap for capnography.

STRAIGHT

- Size: 17 cm
- Connections: 15F/22M * 22F

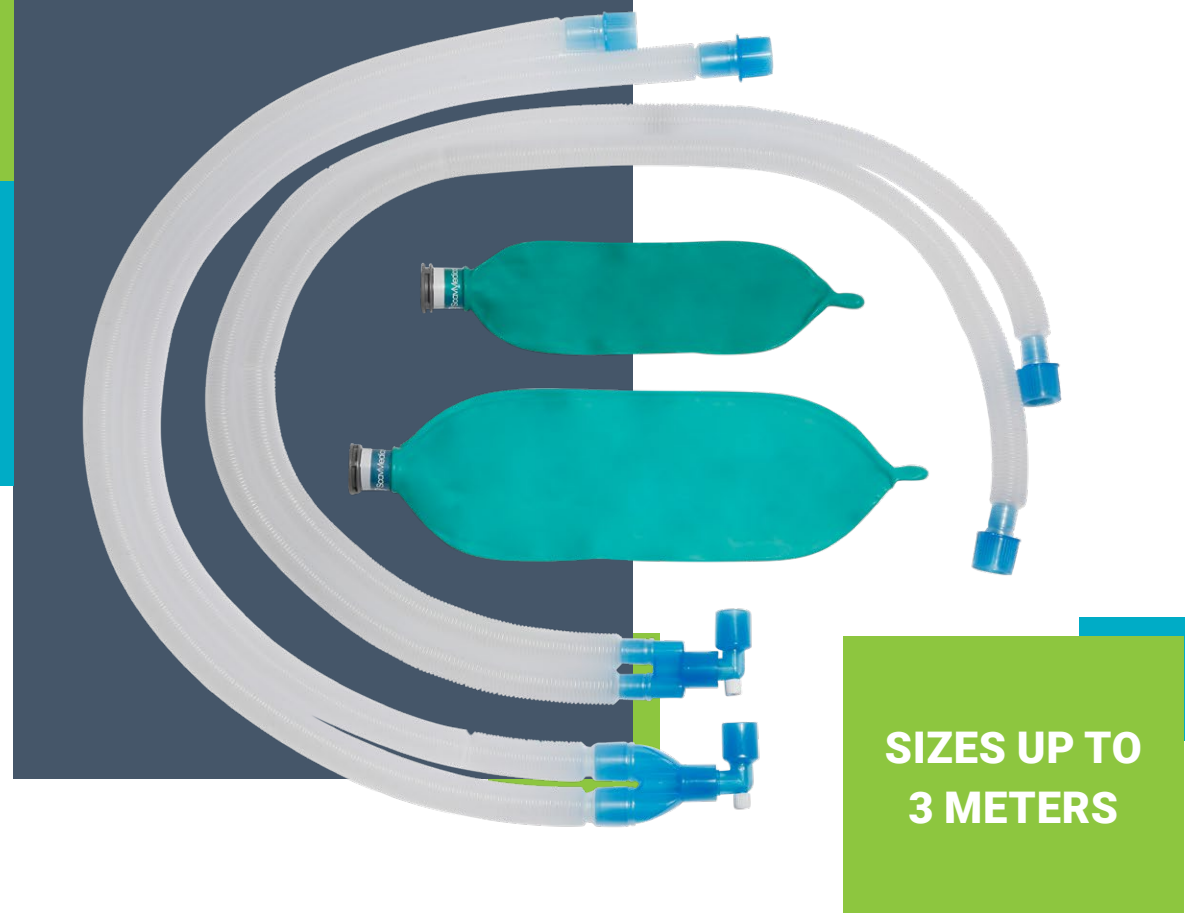
ANGLED

- Size: 23 cm
- Connections: 15M 90° * 22F * capnography

Product/Description	Code	Anvisa
Straight Catheter Mount	YMO-R	81484760013
Angled Catheter Mount	YMO-A	81484760013

Youcircuit®

ANESTHETIC BREATHING CIRCUIT



**SIZES UP TO
3 METERS**

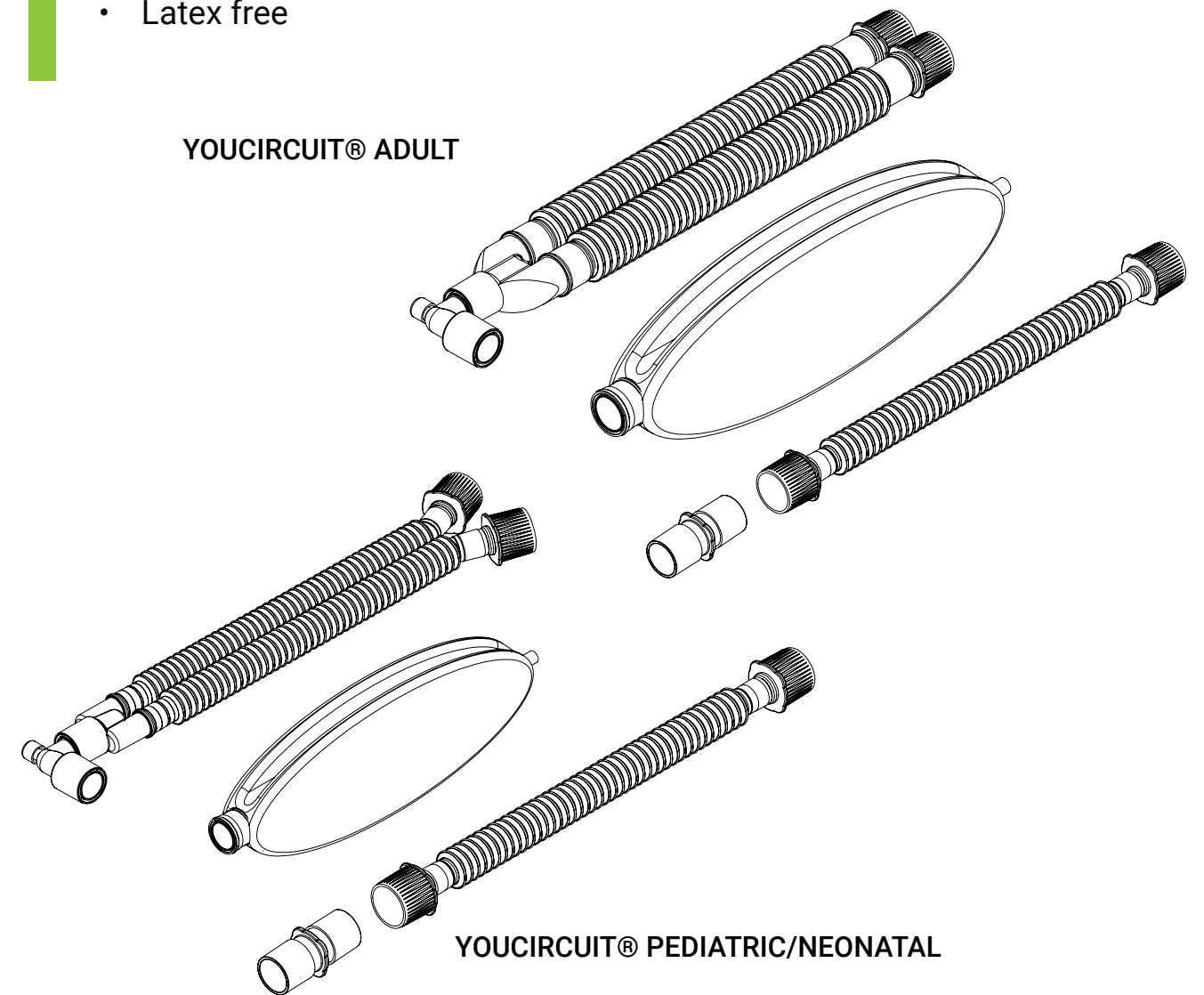
The **YOU CIRCUIT® ANESTHETIC BREATHING CIRCUIT** is a link between the patient and mechanical ventilation equipment and/or anesthesia machines.

It is used for the transportation of anesthetic gases, oxygen or other gases, in patients submitted to mechanical ventilation, when the maintenance of breathing is necessary for a long period of time.

The **YOU CIRCUIT® ANESTHETIC BREATHING CIRCUIT** can reach up to 3 m in length, and it can be retracted (corrugated tube) and return to original length, allowing the medical staff to adjust the best size of the circuit to carry out the procedure.

Anesthetic Breathing Circuit

- Breathing bag
- ISO standard conical connections
- Adult and pediatric/neonatal versions
- Sterilized by Ethylene Oxide
- Surgical grade paper packaging
- Latex free



YOU CIRCUIT® ADULT

YOU CIRCUIT® PEDIATRIC/NEONATAL

Product/Description	Code	Anvisa
Adult Breathing Circuit 2 m	YCA-A2	81484760008
Adult Breathing Circuit 3 m	YCA-A3	81484760008
Pediatric/Neonatal Breathing Circuit 2 m	YCA-P2	81484760008
Pediatric/Neonatal Breathing Circuit 3 m	YCA-P3	81484760008
Adult Breathing Circuit 2 m, 1.5 m Extension, 3 l Bag and Connector 22M/22M	YCA-A2R15B3	81484760009
Adult Breathing Circuit 3 m, 1.5 m Extension, 3 l Bag and Connector 22M/22M	YCA-A3R15B3	81484760009
Pediatric/Neonatal Breathing Circuit 2 m, 1.5 m Extension, 1 l Bag and Connector 22M/22M	YCA-P2R15B1	81484760009
Pediatric/Neonatal Breathing Circuit 3 m, 1.5 m Extension, 1 l Bag and Connector 22M/22M	YCA-P3R15B1	81484760009

Kit Youcircuit Plus[®]

ANESTHETIC BREATHING CIRCUIT
BREATHING FILTERS



Anesthetic Breathing Circuit

- Breathing bag
- ISO standard conical connections
- Adult and pediatric/neonatal versions
- Sterilized by Ethylene Oxide
- Surgical grade paper packaging
- Latex free

**SIZES UP TO
3 METERS**



Filters and humidifies simultaneously

- Transparent body for better visualization
- Extensible corrugated tube
- ISO standard conical connections, 22/15 mm
- Connection for capnography



99.999%
OF EFFECTIVENESS
IN VIRUSES AND
BACTERIA FILTERING

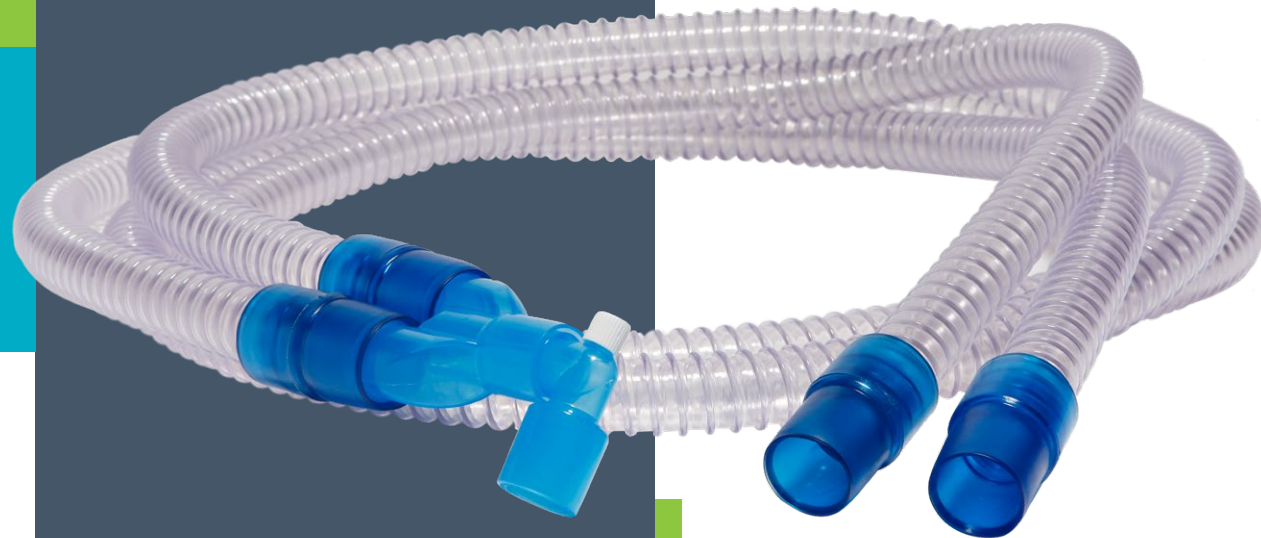
Filters and protects

- Barrier filter, efficiency against viruses and bacteria
- Electrostatic and hydrophobic technology
- Transparent body for better visualization
- Connection for capnography

Product/Description	Code
Adult Breathing Circuit 2 m, 1.5 m Extension, 3 l Bag and Connector 22M/22M + 1 HMEF Adult Breathing Filter with Catheter Mount	YCP-A2R15B3
Adult Breathing Circuit 3 m, 1.5 m Extension, 3 l Bag and Connector 22M/22M + 1 HMEF Adult Breathing Filter with Catheter Mount	YCP-A3R15B3
Adult Breathing Circuit 2 m, 1.5 m Extension, 3 l Bag and Connector 22M/22M + 1 HMEF Adult Breathing Filter with Catheter Mount + 1 Electrostatic Bacterial/Viral Barrier Filter	YCP-A2R15B3-E
Adult Breathing Circuit 3 m, 1.5 m Extension, 3 l Bag and Connector 22M/22M + 1 HMEF Adult Breathing Filter with Catheter Mount + 1 Electrostatic Bacterial/Viral Barrier Filter	YCP-A3R15B3-E

Youflow®

SMOOTHBORE BREATHING CIRCUIT



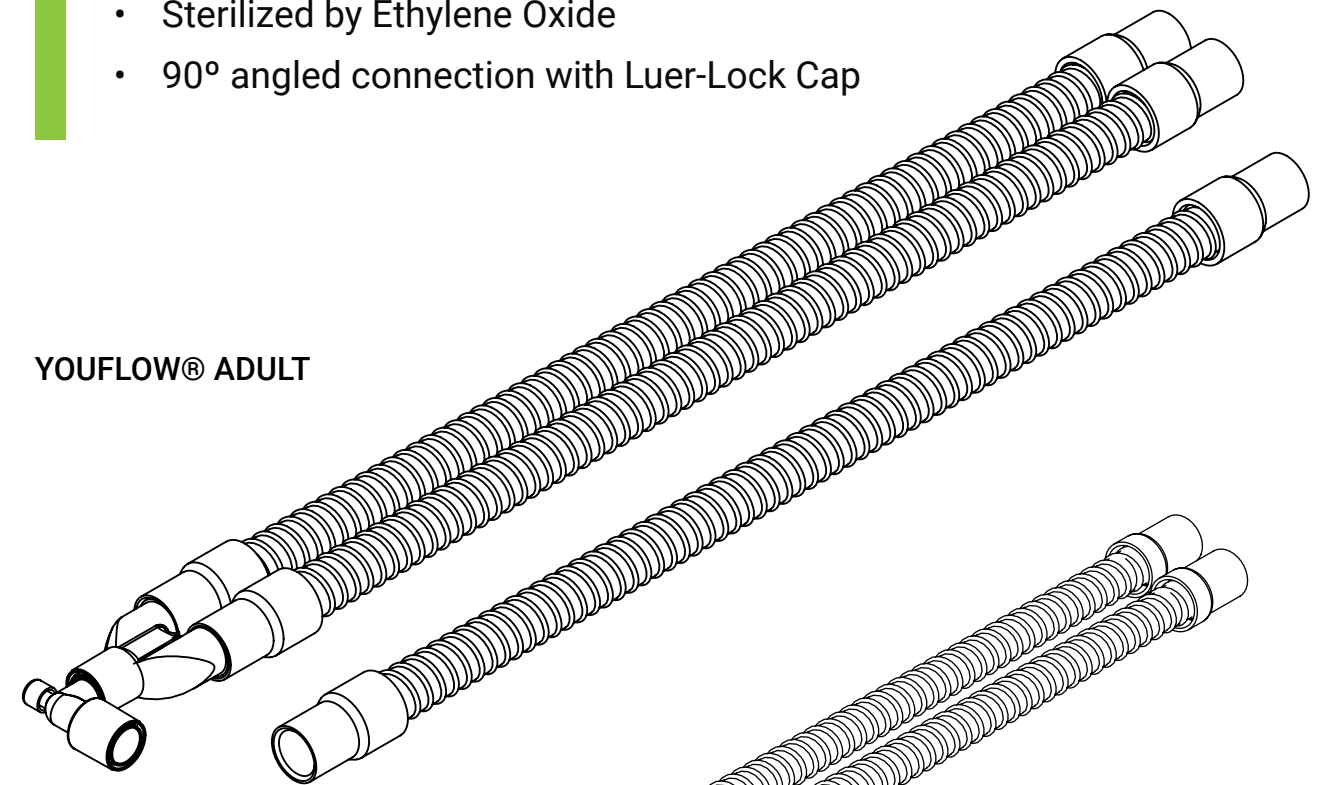
**GREATER
DURABILITY**

The **YOUFLOW® BREATHING CIRCUIT** serves as a link between the patient and mechanical ventilation or oxygen therapy equipment. It is used to transport oxygen or other gases in patients undergoing to oxygen therapy, invasive or non-invasive mechanical ventilation, when the maintenance of breathing is necessary for a long period of time.

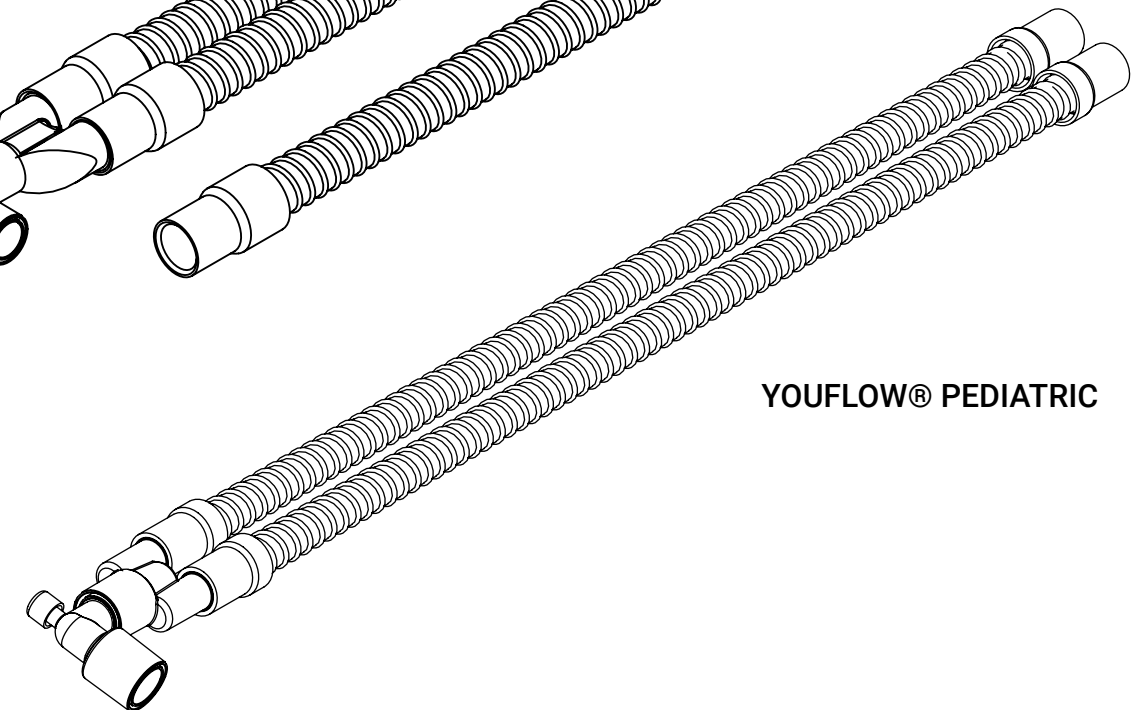
Breathing Circuit

- Tube with smooth inner face
- ISO standard conical connections
- Sterilized by Ethylene Oxide
- 90° angled connection with Luer-Lock Cap

YOUFLOW® ADULT



YOUFLOW® PEDIATRIC



Product/Description	Code	Anvisa
Smoothbore Adult Breathing Circuit 2 m, Y-Connector, Elbow with Luer-Lock Cap	YUF-A2	81484760010
Smoothbore Adult Breathing Circuit 3 m, Y-Connector, Elbow with Luer-Lock Cap	YUF-A3	81484760010
Smoothbore Pediatric Breathing Circuit 2 m, Y-Connector, Elbow with Luer-Lock Cap	YUF-P2	81484760010
Smoothbore Pediatric Breathing Circuit 3 m, Y-Connector, Elbow with Luer-Lock Cap	YUF-P3	81484760010
Extension for Smoothbore Adult Breathing Circuit 1.6 m	YUF-AR16	81484760012

You drain[®]

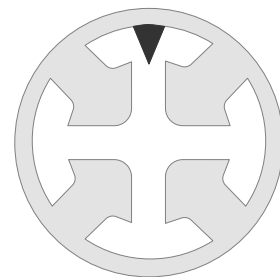
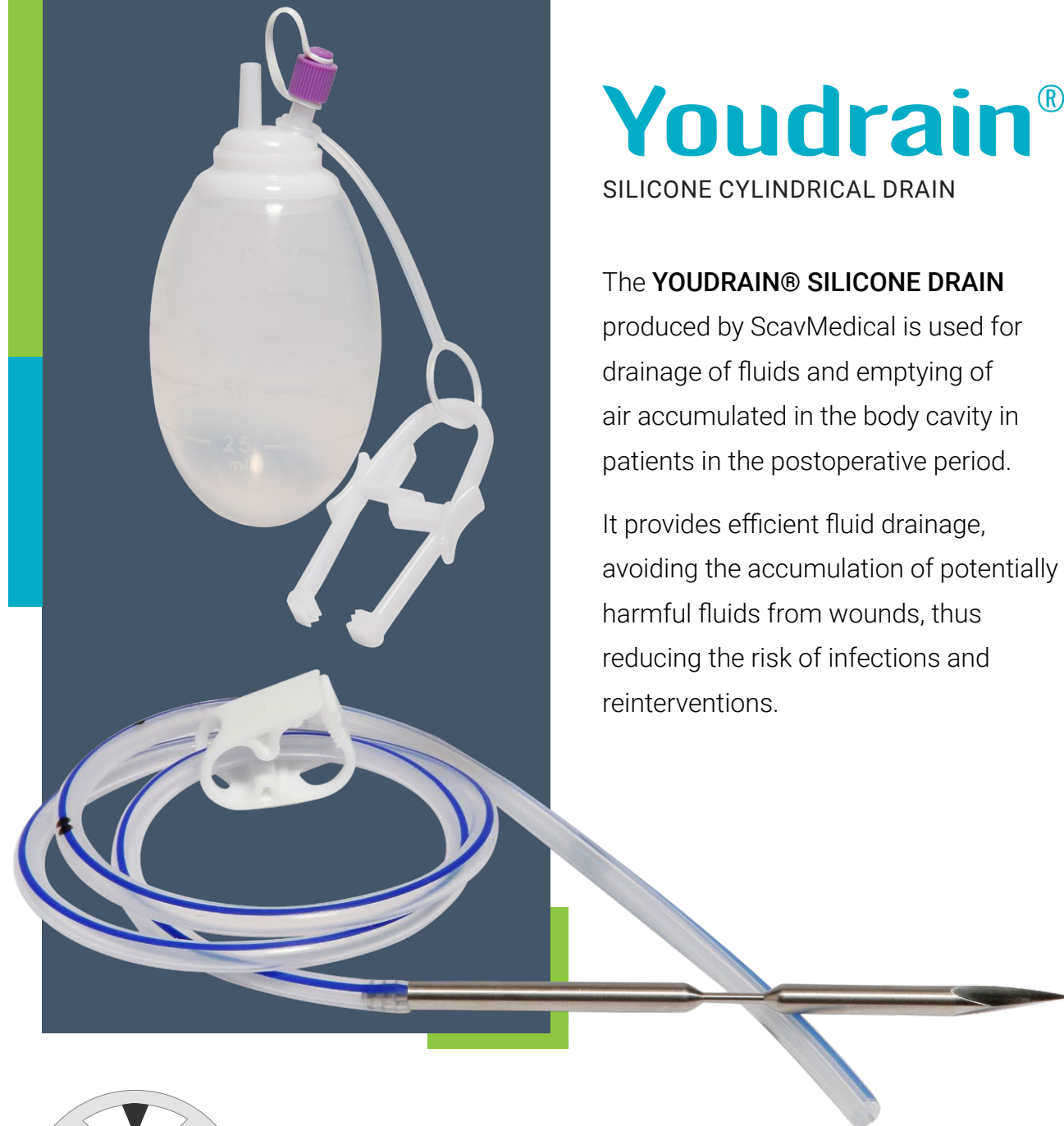
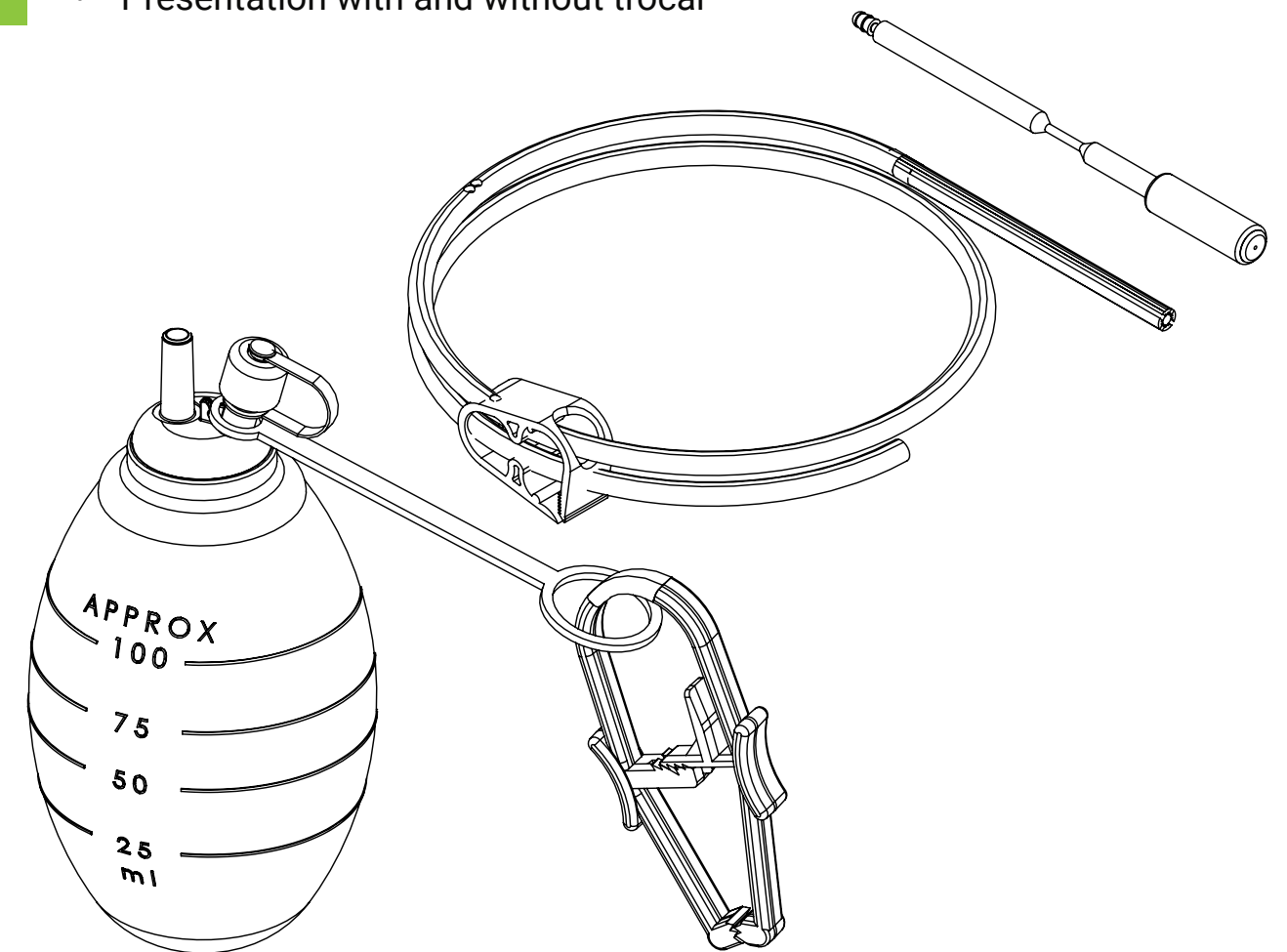
SILICONE CYLINDRICAL DRAIN

The **YOU DRAIN[®] SILICONE DRAIN** produced by ScavMedical is used for drainage of fluids and emptying of air accumulated in the body cavity in patients in the postoperative period.

It provides efficient fluid drainage, avoiding the accumulation of potentially harmful fluids from wounds, thus reducing the risk of infections and reinterventions.

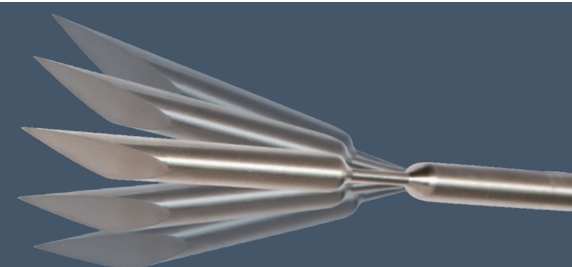
Increased drainage safety

- Produced 100% in silicone
- Efficient and continuous drainage
- Star drain
- Radiopaque filament in all its extension (tube and drain)
- Anti-reflux valve
- Presentation with and without trocar



Designed with a solid center to prevent collapse and obstruction, with "soft edges" to provide greater patient comfort.

ARTICULATING TROCAR FOR BETTER ADJUSTMENT



Product/Description	Code	Anvisa
Silicone Cylindrical Drain in 10 Fr with Bendable Trocar and Reservoir	YDS-10FR-KIT	81484760005
Silicone Cylindrical Drain in 15 Fr with Bendable Trocar and Reservoir	YDS-15FR-KIT	81484760005
Silicone Cylindrical Drain in 19 Fr with Bendable Trocar and Reservoir	YDS-19FR-KIT	81484760005
Silicone Cylindrical Drain in 10 Fr and Reservoir	YDS-10FR-KIT-DR	81484769005
Silicone Cylindrical Drain in 15 Fr and Reservoir	YDS-15FR-KIT-DR	81484769005
Silicone Cylindrical Drain in 19 Fr and Reservoir	YDS-19FR-KIT-DR	81484769005
Silicone Cylindrical Drain in 24 Fr and Reservoir	YDS-24FR-KIT-DR	81484769005

Youlaparo®

FILTER FOR LAPAROSCOPY



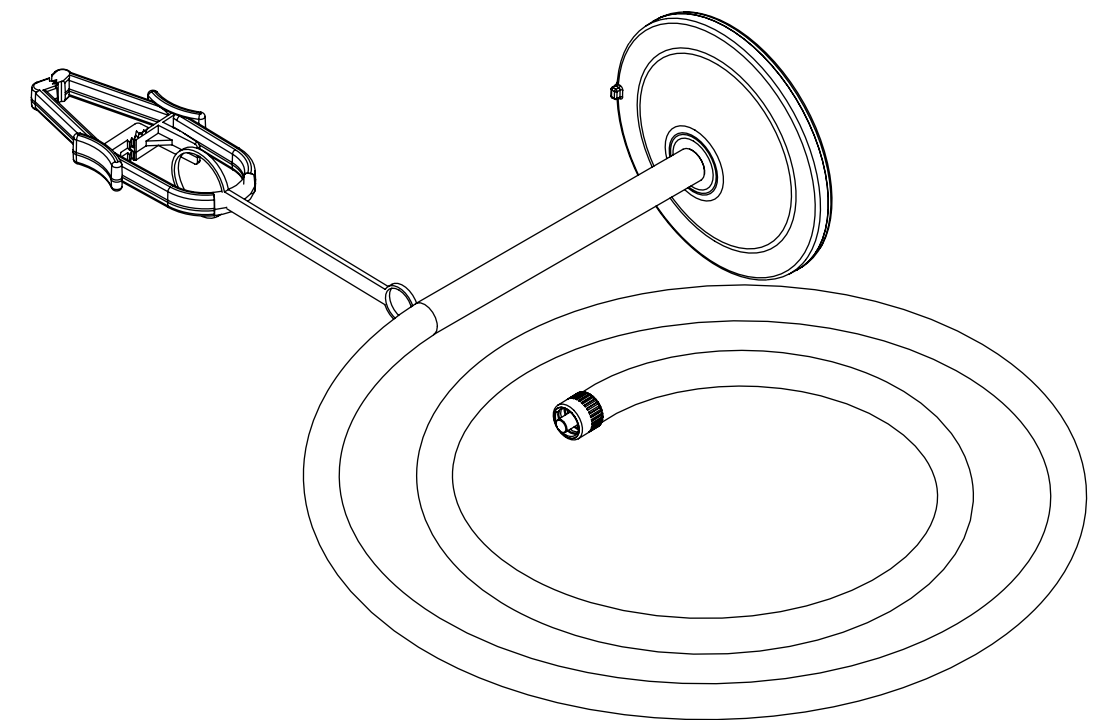
The **YOULAPARO® FILTER FOR LAPAROSCOPY** is a passive system developed by ScavMedical, as an electrostatic and hydrophobic barrier filter, for use in minimally invasive procedures, in order to protect the surgical team of the suction of contaminated gases, expelled from the cavity of the patient to the external environment.

RATCHET CLAMP



Greater security in filtration and odor adsorption

- Efficiency in filtering viruses and bacteria: 99.999%
- Adsorbs up to 80% of odors
- Luer-Lock connector
- Ratchet clamp for Youlaparo fixing
- Double packaging, surgical grade paper and plastic film
- Latex free



**WITH
ACTIVATED
COAL**

The **YOULAPARO® FILTER FOR LAPAROSCOPY** has a filtration efficiency of 99.999% against viruses and bacteria and an activated carbon membrane which has the function of odor adsorption.

Product/Description	Code	Anvisa
Filter for Laparoscopy	YLP	81484760014

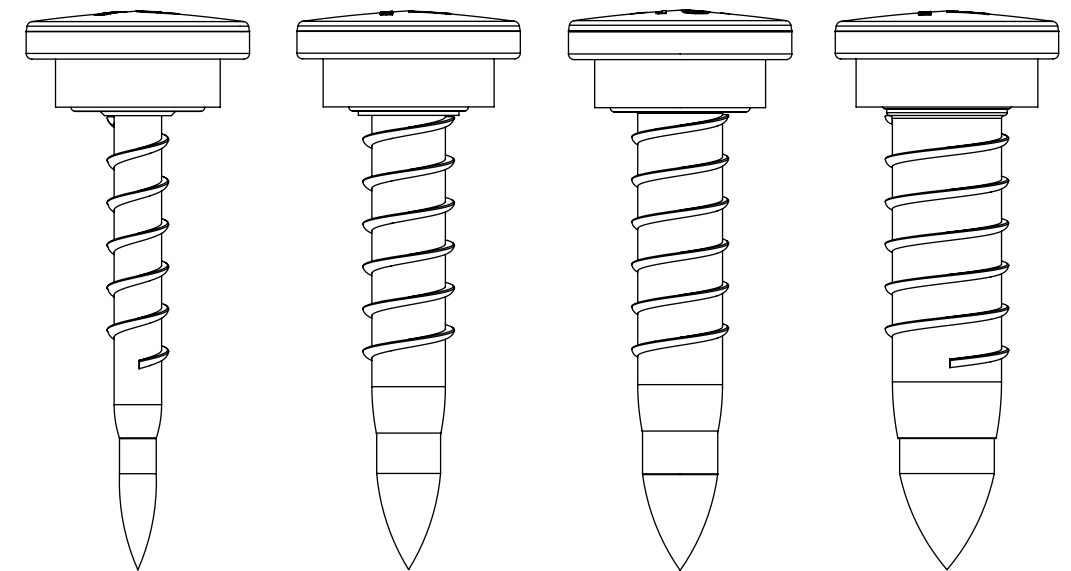
Youthoraxport®

DISPOSABLE THORACIC TROCAR



Thoracic Trocar

- Indicated for use in the thoracic cavity
- Available in 4 diameters
- Disposable
- Blunt tip obturator
- Threaded cannula
- Silicone cover
- Latex free



6 mm x 7 cm

11 mm x 7 cm

13 mm x 7 cm

15 mm x 7 cm

The **YOUTHORAXPORT® DISPOSABLE THORACIC TROCAR** was developed to be used in thoracic endoscopic procedures when insufflation is not necessary and in order to be a portal for the insertion of instruments and protection against foreign materials that may penetrate the thoracic cavity.

Product/Description	Code	Anvisa
Disposable Thoracic Trocar 6 mm	YTP-06x7	81484769003
Disposable Thoracic Trocar 11 mm	YTP-11x7	81484769003
Disposable Thoracic Trocar 13 mm	YTP-13x7	81484769003
Disposable Thoracic Trocar 15 mm	YTP-15x7	81484769003



361, Antonieta Piva Barranqueiros Ave.

Distrito Industrial - Jundiaí - SP - Brazil - Zip Code: 13213-009

Phones: +55 11 4586-8868 / +55 11 4581-3737

Customer Service: sac@scavmedical.com.br

www.scavmedical.com.br

 [scavmedical](https://www.instagram.com/scavmedical)